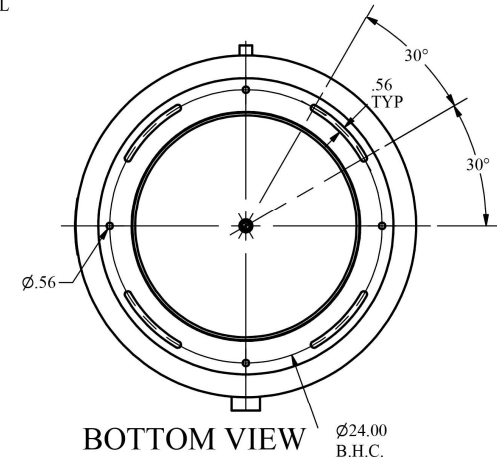


Item	PartNum	Qty	Description	Material	Pkg
1	1030-096	1	30" x 250 NOM ROLLED SHELL	SA-516 GR 70	
2	2030-071	2	30" x .235 MIN JOGGLED HEAD	SA-414 GR G	
3	30-021	3	1/2" NPT COUPLING 3000#	SA-105	
4	30-031	2	1-1/2" NPT HALF COUPLE 3000#	SA-105	
5	40-2873	1	20" RING STAND	SA-53 GR E/B	
6	40-2874	1	26" BASE PLATE	SA-36	
7	160-003LS	1	LIBERTY NAMEPLATE	Stainless Steel	
8	150-043	3	PROTECTOR	Vinyl	X
9	150-066	2	PROTECTOR	Vinyl	X

ENGRAVE CUSTOMER PART NUMBER IN PART/ TAG NO. BOX OF NAMEPLATE



BOTTOM VIEW Ø24.00 B.H.C.

- NOTES:
1. ALL JOINT WELDED.
  2. 225 PSIG MAX. WORKING PRESSURE.
  3. FINISH: RAL-9005 BLACK POWDER PAINT.
  4. PNEUMATIC PRESSURE TEST PRESSURE - 248 PSIG.
  5. MANUFACTURE VESSEL IN ACCORDANCE W/ ASME SEC. VIII, DIV. 1 (LATEST EDITION) RULES FOR CONSTRUCTION.
  6. MIN. DESIGN METAL TEMP. = -20°F.
  7. MAX. DESIGN TEMP. = 500°F.
  8. "U" STAMPING REQUIRED.
  9. USE WPS MIG-1-PA OR WPS SUB-ARC-1-PA FOR ALL WELDING.
  10. CORROSION ALLOWANCE: 0".

Tolerances unless otherwise specified			
0.000 = ± .060	Angular = ± 2°		
0.00 = ± .250	Weld unless otherwise specified		
Description <b>30" x 72" VERTICAL RECEIVER</b>			
Customer/Material <b>LIBERTY #43322</b>			
Weight 595#	Capacity 193 GAL		
Date 12/9/2020	By SB	Part No. RV3072C	Approved