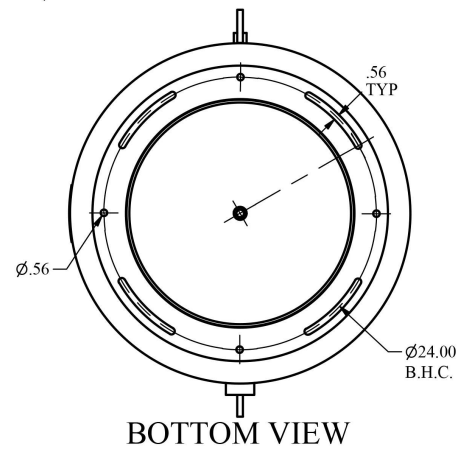


Item	PartNum	Qty	Description	Material	Pkg
1	1030-100	1	30" x .500 NOM ROLLED SHELL	SA-516 GR 70	
2	2030-056	2	30" ELLIPTICAL HEAD W/ HOLE	SA-516 GR 70	
3	30-021	3	1/2" NPT COUPLING 3000#	SA-105	
4	30-031	2	1-1/2" NPT HALF COUPLE 3000#	SA-105	
5	40-2873	1	20" RING STAND	SA-53 GR E/B	
6	40-2874	1	26" BASE PLATE	SA-36	
7	40-1163	6	1/2" THICK LIFT LUG	SA-516 GR 70	
8	160-003LS	1	LIBERTY NAMEPLATE	Stainless Steel	
9	150-043	3	PROTECTOR	Vinyl	X
10	150-062	2	PROTECTOR	Vinyl	X

ENGRAVE CUSTOMER PART NUMBER IN PART/ TAG NO. BOX OF NAMEPLATE



BOTTOM VIEW

- NOTES:
1. ALL JOINT WELDED.
 2. 500 PSIG MAX. WORKING PRESSURE.
 3. FINISH: RAL-9005 BLACK POWDER PAINT.
 4. PNEUMATIC PRESSURE TEST PRESSURE - 550 PSIG.
 5. MANUFACTURE VESSEL IN ACCORDANCE W/ ASME SEC. VIII, DIV. 1 (LATEST EDITION) RULES FOR CONSTRUCTION.
 6. MIN. DESIGN METAL TEMP. = -20°F.
 7. MAX. DESIGN TEMP. = 400°F.
 8. "U" STAMPING REQUIRED.
 9. USE WPS MIG-1-PA OR WPS SUB-ARC-1-PA FOR ALL WELDING.
 10. NAMEPLATE TO BE STAMPED w/ RT-4 DESIGNATION
 11. CORROSION ALLOWANCE: 0".

Tolerances unless otherwise specified		Angular = ± 2°	
0.000 = ± .060	unless otherwise specified		
0.00 = ± .250			
Description 30" x 72" VERTICAL RECEIVER			
Customer/Material LIBERTY 43323			
Weight 1041#	Capacity 189 GAL	Date 2/8/2021	By CM
Part No. RV3072D		Approved	