

NOZZLE CHART		
NOZZLE ID	NPS SIZE	TYPE
N1	1/4	NPT
N2	1	NPT
N3	1 1/4	NPT
N4	3	NPT
N5	6	150# FLG
N6	MANWAY	

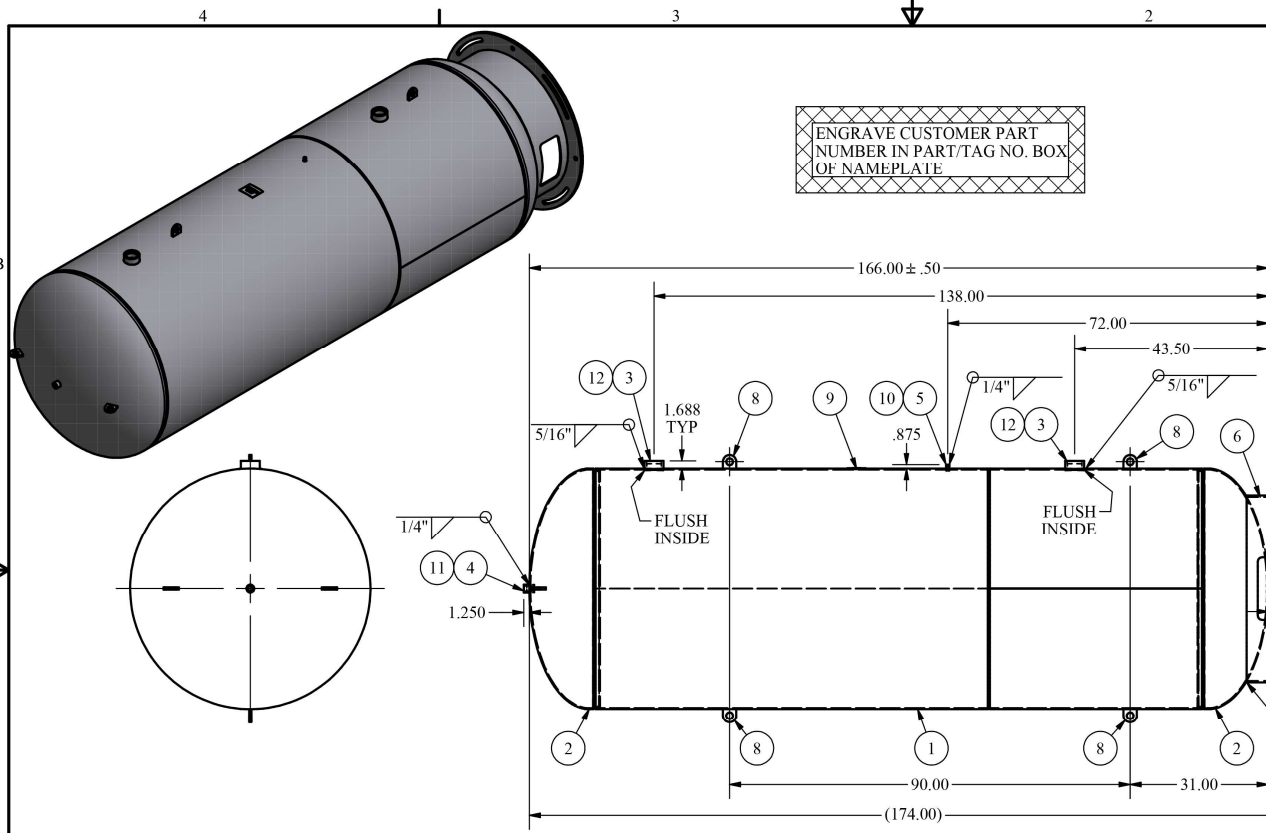


DESIGN INFORMATION	
SPECIFICATION	VALUE
DIAMETER O.D./I.D.	60 O.D.
MAWP	150 PSI AT 400°F
MDMT	-20°F AT 150 PSI
CAPACITY	APPROX 2000 GALLONS
SHIPPING WEIGHT	3503 LBS
CRN	L6794.5C

(BUILT IN ACCORDANCE WITH LATEST EDITION OF SECTION VIII DIV 1 ASME CODE)
 THIS DRAWING & SPECIFICATIONS ARE PROPERTY OF SPVG AND MAY NOT BE COPIED, REPRODUCED, OR USED IN WHOLE OR PART, AS A BASIS FOR DESIGN MANUFACTURE OR SALE WITHOUT PRIOR PERMISSION FROM SPVG.

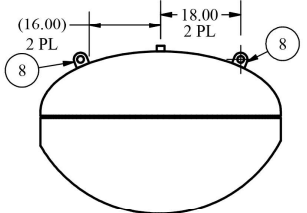
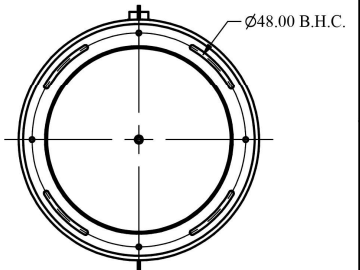
G26	ISSUED	BY	DATE
REV	DESCRIPTION		

TITLE VERTICAL AIR RECEIVER			
CUSTOMER STOCK	DRAWN 1	CHECKED DMM 10/10/2016	DRAWING NO. REV G26
TYPE ASME	SIZE: B	SHEET 1 OF 1	



ENGRAVE CUSTOMER PART
NUMBER IN PART/TAG NO. BOX
OF NAMEPLATE

Item	PartNum	Qty	Description	Material	Pkg
1	1054-001	1	54" x .313 NOM SHELL	SA-516 GR 70	
2	2054-001	2	2:1 ELLIP JOGGLED HEAD W/ HOLE - 54"	SA-516 GR 70	
3	30-091	2	3" NPT HALF COUPLE	SA-105	
4	30-014	2	1" FULL COUPLING 3000#	SA-105	
5	30-005	1	1/4" NPT COUPLING 3000#	SA-105	
6	40-2642	1	42" x 12-13/16" STAND RING	SA-516 GR 70	
7	40-2643	1	52" BASE PLATE (42" ID)	SA-516 GR 70	
8	40-1163	6	1/2" THICK LIFT LUG	SA-516 GR 70	
9	160-003LS	1	LIBERTY ASME NAMEPLATE	Stainless Steel	
10	150-064	1	PROTECTOR	Vinyl	X
11	150-061	2	PROTECTOR	Vinyl	X
12	150-071	2	PROTECTOR	Vinyl	X



- Notes**
1. ALL JOINTS WELDED.
 2. 155 PSIG MAX. WORKING PRESSURE.
 3. FINISH: RAL-9005 BLACK POWDER PAINT.
 4. HYDROSTATIC TEST PRESSURE - 205 PSIG.
 5. MANUFACTURE VESSEL IN ACCORDANCE WITH ASME SEC. VIII DIV. 1 (LATEST EDITION) RULES FOR CONSTRUCTION
 6. MIN. DESIGN METAL TEMP. (MDMT) = -20°F
 7. MAX. DESIGN METAL TEMP. = 500°F
 8. "U" STAMPING REQUIRED
 9. USE WPS MIG-1-PA OR WPS SUB-ARC-1-PA FOR ALL WELDING
 10. NAMEPLATE TO BE STAMPED WITH RT-4 DESIGNATION.
 11. CORROSION ALLOWANCE 0"
 12. MINIMUM PRESSURE: 0 PSIG

REV	DATE	ECN	DESCRIPTION	SB	BY
A	3-5-20	4902	UPDATED CUSTOMER P/N		SB
REVISIONS					
Tolerances unless otherwise specified					
0.000 = ± .060			Angular = ± 2°		
0.00 = ± .250			✓ unless otherwise specified		
Description: 54" x 166" VERTICAL RECEIVER					
Customer/Material					
LIBERTY #43305					
Weight	Capacity				
3100#	1513 GAL				
Date	By	Part No.	Approved		
1/29/2020	SB	RV54166A			