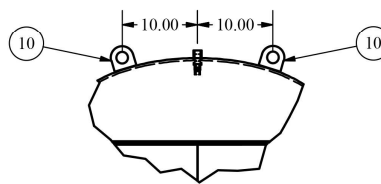
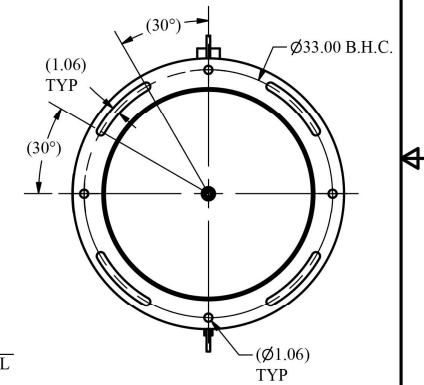
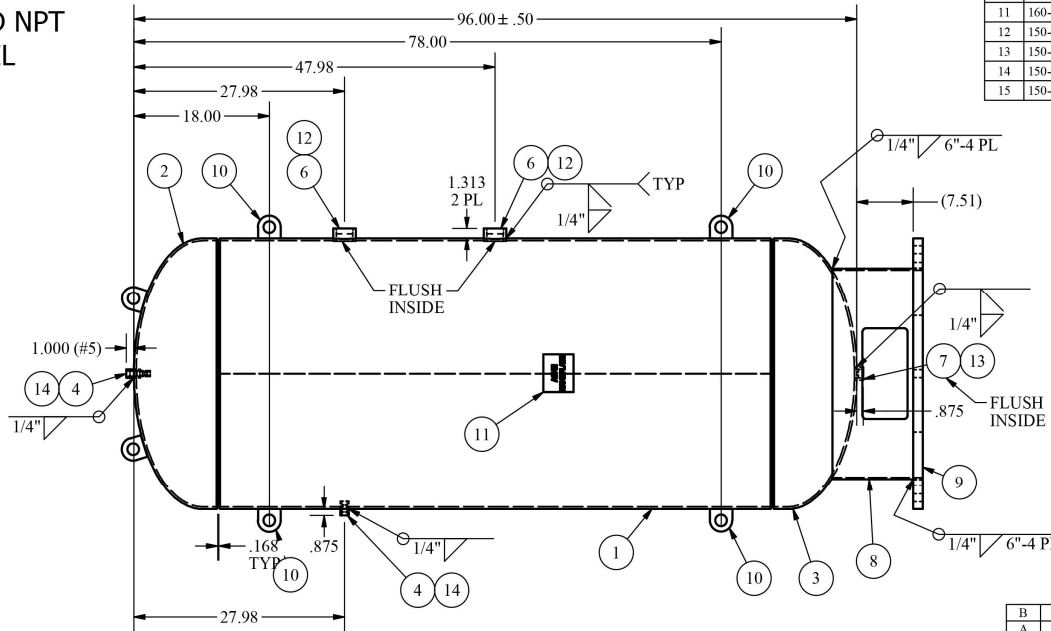
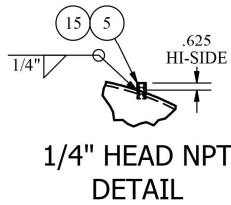


ENGRAVE CUSTOMER PART NUMBER IN PART / TAG NO. BOX OF NAMEPLATE

Item	PartNum	Qty	Description	Material	Pkg
1	1036-055	1	36 x .313" NOM SHELL	SA-516 GR 70	
2	2036-053	1	36" ELLIP HEAD W/ HOLES	SA-516 GR 70	
3	2036-052	1	36" ELLIP HEAD W/ HOLE	SA-516 GR 70	
4	30-021	2	1/2" NPT COUPLING 3000#	SA-105	
5	30-005	1	1/4" NPT COUPLING 3000#	SA-105	
6	30-038	2	2" NPT HALF COUPLE 3000#	SA-105	
7	30-033	1	1" 3000# NPT - HALF COUPLING	SA-105	
8	40-1523	1	28" x 12" STAND RING	SA-516 GR 70	
9	40-1524	1	36" BASE PLATE	SA-516 GR 70	
10	40-1163	6	1/2" THICK LIFT LUG	SA-516 GR 70	
11	160-003LS	1	LIBERTY NAMEPLATE	Stainless Steel	
12	150-063	2	PROTECTOR	Vinyl	X
13	150-061	1	PROTECTOR	Vinyl	X
14	150-043	2	PROTECTOR	Vinyl	X
15	150-064	1	PROTECTOR	Vinyl	X



LIFT LUG DETAIL

- NOTES:
1. ALL JOINTS WELDED
  2. 225 PSIG MAX. WORKING PRESSURE.
  3. FINISH: RAL-9005 BLACK POWDER PAINT
  4. HYDROSTATIC TEST PRESSURE: 293 PSIG
  5. MANUFACTURE VESSEL IN ACCORDANCE W/ ASME SEC. VIII, DIV. 1 (LATEST EDITION) RULES FOR CONSTRUCTION
  6. MIN. DESIGN METAL TEMP. (MDMT): -20°F
  7. MAX. DESIGN METAL TEMP. : 500°F
  8. "U" STAMPING REQUIRED
  9. USE WPS MIG-1-PA OR SUB-ARC-1-PA FOR ALL WELDING
  10. CORROSION ALLOWANCE: 0"
  11. MINIMUM PRESSURE: 0 PSIG

REV	DATE	ECN	DESCRIPTION	BY
B	4-9-21	5534	UPDATE FITTINGS	CM
A	3-1-21	5486	INCREASED BASEPLATE THICKNESS	CM

REVISIONS

Tolerances unless otherwise specified  
 0.000 = ± .060 Angular = ± 2°  
 0.00 = ± .250 ✓ unless otherwise specified

Description  
**36" x 96" VERTICAL RECEIVER**

Customer/Material  
**LIBERTY 43313**

Weight Capacity  
**1150# 380 GAL**

Date By Part No. Approved  
 2/2/2021 CM RV3696C