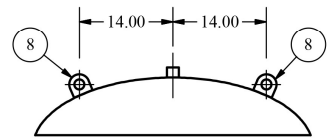
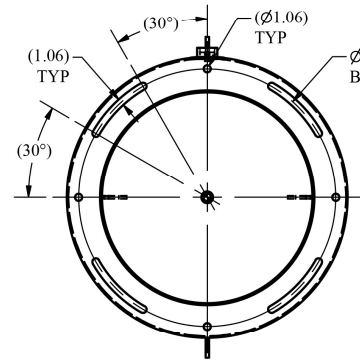


Item	PartNum	Qty	Description	Material	Pkg
1	1042-005	1	42" x .250 NOM SHELL	SA-516 GR 70	
2	2042-003	2	42" x .250 NOM 2:1 ELLIP. HEAD	SA-414 GR G	
3	30-014	2	1" FULL COUPLING 3000#	SA-105	
4	30-038	2	2" NPT HALF COUPLE 3000#	SA-105	
5	30-005	1	1/4" NPT COUPLING 3000#	SA-105	
6	40-1515	1	32" x 12" STAND RING	SA-36	
7	40-1514	1	32" BASE PLATE	SA-516 GR 70	
8	40-1163	6	1/2" THICK LIFT LUG	SA-516 GR 70	
9	150-061	2	PROTECTOR	Vinyl	X
10	150-064	1	PROTECTOR	Vinyl	X
11	150-063	2	PROTECTOR	Vinyl	X
12	160-003	1	NAMEPLATE	Stainless Steel	



VIEW A-A  
ROTATED 90° CW

- NOTES:
1. ALL JOINTS WELDED
  2. 150 PSIG MAX. WORKING PRESSURE.
  3. FINISH: RAL-9005 BLACK POWDER PAINT
  4. HYDROSTATIC TEST PRESSURE: 195 PSIG
  5. MANUFACTURE VESSEL IN ACCORDANCE W/ ASME SEC. VIII, DIV. 1 (LATEST EDITION) RULES FOR CONSTRUCTION
  6. MIN. DESIGN METAL TEMP. (MDMT): -20°F
  7. MAX. DESIGN METAL TEMP. : 500°F
  8. "U" STAMPING REQUIRED
  9. USE WPS MIG-1-PA OR SUB-ARC-1-PA FOR ALL WELDING
  10. CORROSION ALLOWANCE: 0"
  11. MINIMUM PRESSURE: 0 PSIG

Tolerances unless otherwise specified  
 0.000 = ± .060 Angular = ± 2°  
 0.00 = ± .250 unless otherwise specified

Description  
**42" x 117" VERTICAL RECEIVER**

Customer/Material  
**LIBERTY**

Weight  
**1350#**

Capacity  
**660 GAL**

Date  
**9/23/2019**

By  
**CM**

Part No.  
**RV42117A**

Approved