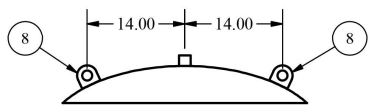
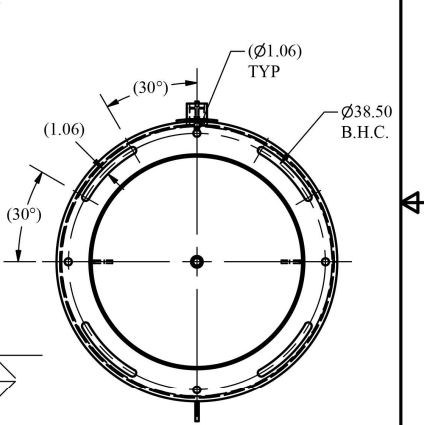
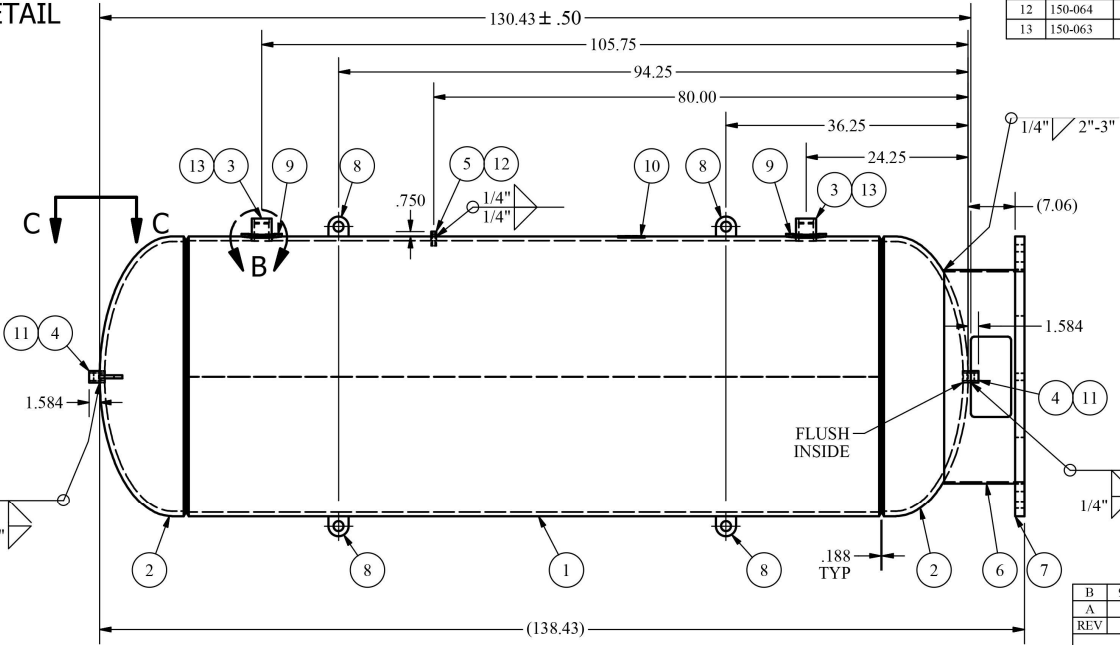
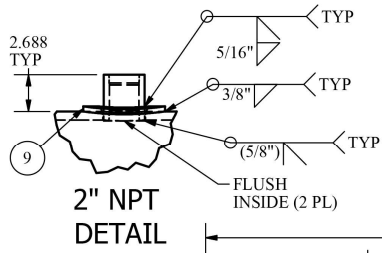


Item	PartNum	Qty	Description	Material	Pkg
1	1042-006	1	42" x .625 NOM SHELL	SA-516 GR 70	
2	2042-004	2	42" HEAD - 2:1 ELLIPTICAL HEAD	SA-516 GR 70	
3	30-086	2	2" NPT COUPLING 3000#	SA-105	
4	30-014	2	1" FULL COUPLING 3000#	SA-105	
5	30-00512	1	1/4" NPT COUPLING	SA-105	
6	40-1515	1	32" x 12" STAND RING	SA-516 GR 70	
7	40-1514	1	32" BASE PLATE	SA-516 GR 70	
8	40-1163	6	1/2" THICK LIFT LUG	SA-516 GR 70	
9	34-042K	2	6.00" OD x 3.13" ID RE-PAD - 42" SHELL	SA-516 GR 70	
10	160-003LS	1	LIBERTY ASME NAMEPLATE	Stainless Steel	
11	150-061	2	PROTECTOR	Vinyl	X
12	150-064	1	PROTECTOR	Vinyl	X
13	150-063	2	PROTECTOR	Vinyl	X

ENGRAVE CUSTOMER PART NUMBER IN PART/ TAG NO. BOX OF NAMEPLATE



- NOTES:
1. ALL JOINTS WELDED
 2. 500 PSIG MAX. WORKING PRESSURE.
 3. FINISH: RAL-9005 BLACK POWDER PAINT
 4. HYDROSTATIC TEST PRESSURE: 650 PSIG
 5. MANUFACTURE VESSEL IN ACCORDANCE W/ ASME SEC. VIII, DIV. 1 (LATEST EDITION) RULES FOR CONSTRUCTION
 6. MIN. DESIGN METAL TEMP. (MDMT): -20°F
 7. MAX. DESIGN METAL TEMP. : 500°F
 8. "U" STAMPING REQUIRED
 9. USE WPS MIG-1-PA OR SUB-ARC-1-PA FOR ALL WELDING
 10. NAMEPLATE TO BE STAMPED w/ RT-4
 11. CORROSION ALLOWANCE: 0"

REV	DATE	ECN	DESCRIPTION	BY
B	9-23-20	5240	UPDATED BASEPLATE THICKNESS	CM
A	3-5-20	4902	UPDATED CUSTOMER P/N	SB

REVISIONS

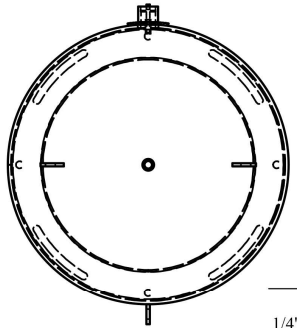
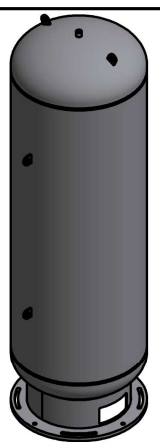
Tolerances unless otherwise specified
 0.000 = ± .060 Angular = ± 2°
 0.00 = ± .250 unless otherwise specified

Description
42" x 130" VERTICAL RECEIVER

Customer/Material
LIBERTY #43318

Weight 3500# Capacity 660 GAL

Date 10/24/2019 By SB Part No. RV42130A Approved



A

A

B

B

A

A

A

A

4

3

2

1

