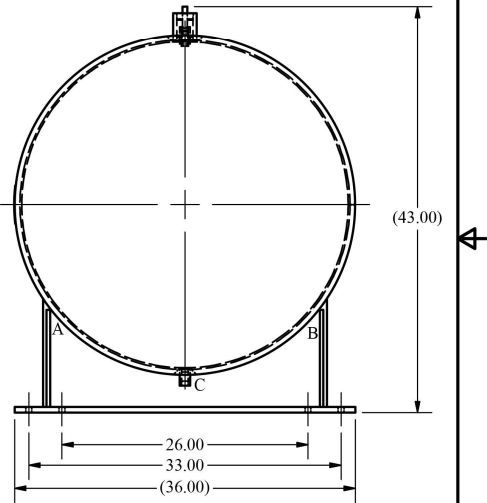


Item	PartNum	Qty	Description	Material	Pkg
1	1036-049	1	36 x .750" NOM SHELL	SA-516 GR 70	
2	20-099	2	36" ELLIP HEAD	SA-516 GR 70	
3	40-2626	2	36" SADDLE BRACKET		
4	40-1163	2	1/2" THICK LIFT LUG	SA-516 GR 70	
5	30-085	2	1-1/2" NPT FULL COUPLE #3000	SA-105	
6	30-021	2	1/2" NPT COUPLING 3000#	SA-105	
7	30-005L2	1	1/4" NPT COUPLING	SA-105	
8	160-003LS	1	LIBERTY NAMEPLATE	Stainless Steel	
9	150-043	2	PROTECTOR	Vinyl	X
10	150-064	1	PROTECTOR	Vinyl	X
11	150-062	2	PROTECTOR	Vinyl	X

TACK WELD BRACKETS TO SHELL
IN ORDER A-B-C, THEN FINISH WELD



- NOTES:
1. ALL JOINT WELDED.
 2. 600 PSIG MAX. WORKING PRESSURE.
 3. FINISH: RAL-9005 BLACK POWDER PAINT.
 4. HYDROSTATIC TEST PRESSURE - 780 PSIG.
 5. MANUFACTURE VESSEL IN ACCORDANCE W/ ASME SEC. VIII, DIV. 1 (LATEST EDITION) RULES FOR CONSTRUCTION.
 6. MIN. DESIGN METAL TEMP. = -20°F.
 7. MAX. DESIGN TEMP. = 500°F.
 8. "U" STAMPING REQUIRED.
 9. USE WPS MIG-1-PA OR WPS SUB-ARC-1-PA FOR ALL WELDING.
 10. NAMEPLATE TO BE STAMPED w/ RT-3 DESIGNATION.
 11. CORROSION ALLOWANCE: 0".

Tolerances unless otherwise specified	
0.000 = ± .060	Angular = ± 2°
0.00 = ± .250	⚡ unless otherwise specified
Description: 36" x 96" HORZ. RECEIVER	
Customer/Material: LIBERTY #	
Weight: 2494#	Capacity: 359 GAL
Date: 10/5/2020	By: CM
Part No: RHH3696A	Approved: