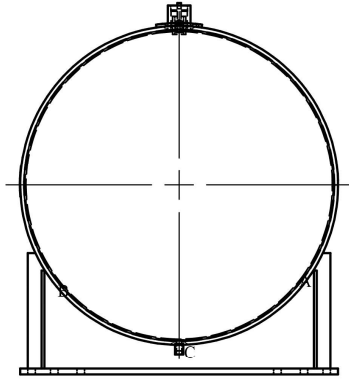


Item	PartNum	Qty	Description	Material	Pkg
1	1042-008	1	42" x .625 NOM SHELL	SA-516 GR 70	
2	20-124	2	42" HEAD - 2:1 ELLIPTICAL HEAD	SA-516 GR 70	
3	40-1163	2	1/2" THICK LIFT LUG	SA-516 GR 70	
4	40-2644	2	42" SADDLE BRACKET	SA-36	
5	30-086	2	2" NPT COUPLING 3000#	SA-105	
6	30-014	1	1" FULL COUPLING 3000#	SA-105	
7	30-021	1	1/2" NPT COUPLING 3000#	SA-105	
8	30-005	1	1/4" NPT COUPLING 3000#	SA-105	
9	34-042K	2	6.00" OD x 3.13" ID RE-PAD - 42" SHELL	SA-516 GR 70	
10	160-003LS	1	LIBERTY NAMEPLATE	Stainless Steel	
11	150-063	2	PROTECTOR	Vinyl	X
12	150-064	1	PROTECTOR	Vinyl	X
13	150-061	2	PROTECTOR	Vinyl	X
14	150-043	1	PROTECTOR	Vinyl	X

TACK WELD BRACKETS TO SHELL IN ORDER A-B-C, THEN FINISH WELD



- Notes
1. ALL JOINTS WELDED.
 2. 500 PSIG MAX. WORKING PRESSURE.
 3. FINISH: RAL-9005 BLACK POWDER PAINT
 4. HYDROSTATIC TEST PRESSURE - 650 PSIG
 5. MANUFACTURE VESSEL IN ACCORDANCE WITH ASME SEC. VIII DIV. 1 (LATEST EDITION) RULES FOR CONSTRUCTION
 6. MIN. DESIGN METAL TEMP. (MDMT) = -20°F
 7. MAX. DESIGN METAL TEMP. = 500°F
 8. "U" STAMPING REQUIRED
 9. USE WPS MIG-1-PA OR WPS SUB-ARC-1-PA FOR ALL WELDING
 10. CORROSION ALLOWANCE: 0"
 11. MINIMUM PRESSURE: 0 PSIG
 12. NAMEPLATE TO BE STAMPED w/ RT-4 DESIGNATION.

ENGRAVE CUSTOMER PART NUMBER IN PART/TAG NO. BOX

Tolerances unless otherwise specified
 0.000 = ± .060 Angular = ± 2°
 0.00 = ± .250 unless otherwise specified

Description
42" x 117" HORIZONTAL RECEIVER

Customer/Material
LIBERTY #43115

Weight Capacity
3200# 600 GAL

Date 1/30/2020 By SB Part No. RH42117B Approved

REV	DATE	ECN	DESCRIPTION	BY
A	3-5-20	4902	UPDATED CUSTOMER P/N	SB
REVISIONS				