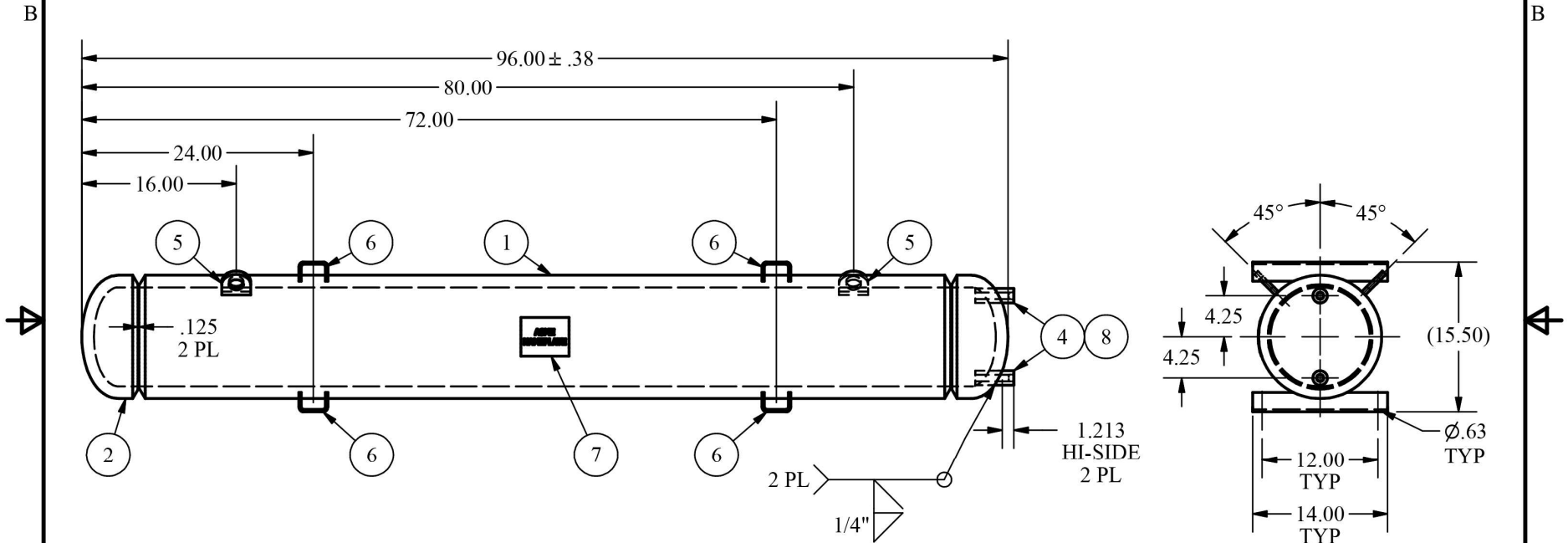


Item	PartNum	Qty	Description	Material	Pkg
1	1012-729	1	12.75 x 1.250" NOM SHELL	SA-106 GR C	
2	20-226	1	12.75" ELLIP. HEAD - 1-1/4" NOM	SA-516 GR 70	
3	2012-262	1	12.75" ELLIP. HEAD W/ HOLES	SA-516 GR 70	
4	30-020L4	2	1/2" NPT COUPLE 6000# - 4.00L	SA-105	
5	40-1163	2	1/2" THICK LIFT LUG	SA-516 GR 70	
6	40-2727	4	12-3/4" SADDLE BRACKET - 5/8" HOLE	SA-36	
7	160-003	1	LIBERTY NAMEPLATE	Stainless Steel	
8	150-043	2	PROTECTOR	Vinyl	X



- Notes
1. ALL JOINTS WELDED.
  2. 3000 PSIG MAX. WORKING PRESSURE.
  3. FINISH: RAL-9005 BLACK POWDER PAINT
  4. HYDROSTATIC TEST PRESSURE - 3900 PSIG
  5. MANUFACTURE VESSEL IN ACCORDANCE WITH ASME SEC. VIII DIV. 1 (LATEST EDITION) RULES FOR CONSTRUCTION
  6. MIN. DESIGN METAL TEMP. (MDMT) = 20°F
  7. MAX. DESIGN METAL TEMP. = 650°F
  8. "U" STAMPING REQUIRED
  9. USE WPS MIG-1-PA FOR ALL WELDING

Tolerances unless otherwise specified			
0.000 = ± .060		Angular = ± 2°	
0.00 = ± .250		✓ unless otherwise specified	
Description <b>12-3/4" x 96" HORIZONTAL RECEIVER</b>			
Customer/Material <b>LIBERTY</b>			
Weight 1275#	Capacity 34 GAL		
Date 8/4/2020	By SB	Part No. TRH1296A	Approved

