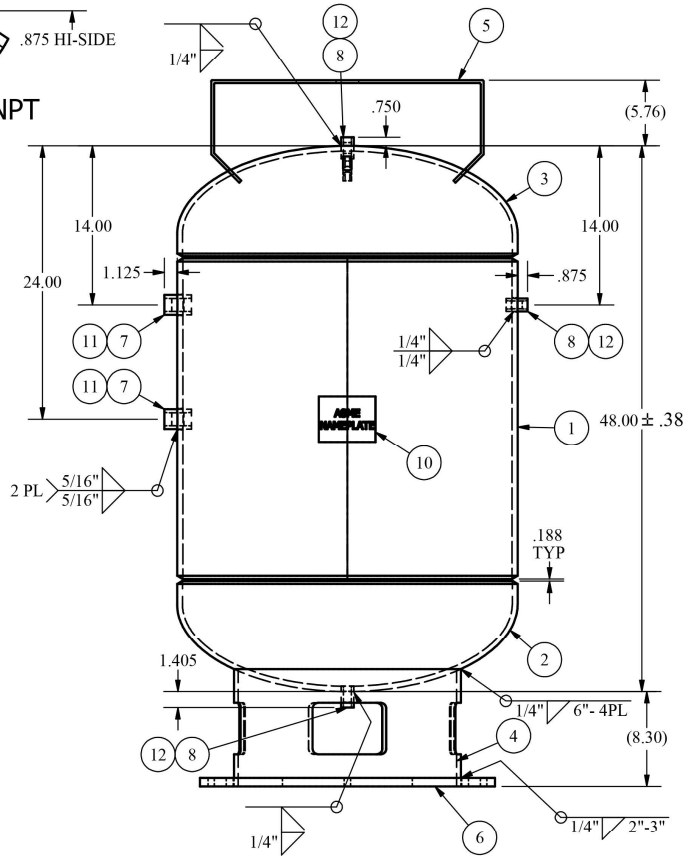
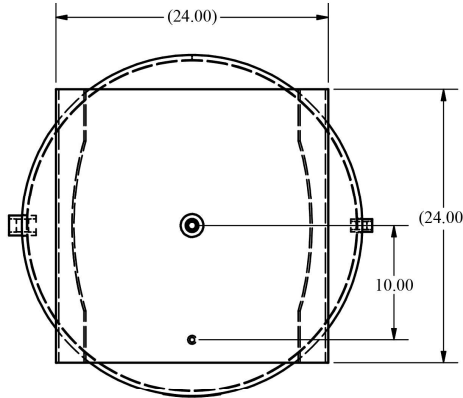
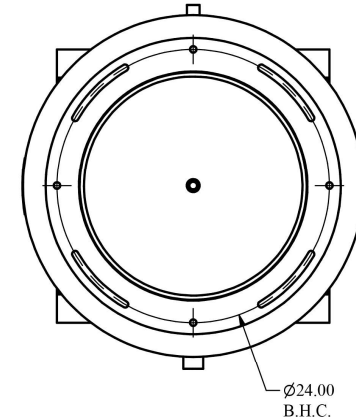


1/4" HEAD NPT
DETAIL



Item	PartNum	Qty	Description	Material	Pkg
1	1030-064	1	30" x .500 NOM ROLLED SHELL	SA-516 GR 70	
2	2030-056	1	30" ELLIPTICAL HEAD W/ HOLE	SA-516 GR 70	
3	2030-057	1	30" ELLIPTICAL HEAD W/ HOLES	SA-516 GR 70	
4	40-1497	1	20" RING STAND	SA-53 GR B	
5	40-1498	1	TOP PLATE BRACKET 24x24	SA-36	
6	40-2598	1	26" BASE PLATE	SA-516 GR 70	
7	30-014	2	1" FULL COUPLING 3000#	SA-105	
8	30-021	3	1/2" NPT COUPLING 3000#	SA-105	
9	30-005L2	1	1/4" NPT COUPLING	SA-105	
10	160-003LS	1	LIBERTY NAMEPLATE	Stainless Steel	
11	150-061	2	PROTECTOR	Vinyl	X
12	150-043	3	PROTECTOR	Vinyl	X
13	150-064	1	PROTECTOR	Vinyl	X

ENGRAVE CUSTOMER PART
NUMBER IN PART/ TAG NO. BOX
OF NAMEPLATE



NOTES:

- ALL JOINT WELDED.
 - 500 PSIG MAX. WORKING PRESSURE.
 - FINISH: RAL-9005 BLACK POWDER PAINT.
 - PNEUMATIC PRESSURE TEST PRESSURE - 550 PSIG.
 - MANUFACTURE VESSEL IN ACCORDANCE W/ ASME SEC. VIII, DIV. 1 (LATEST EDITION)
- RULES FOR CONSTRUCTION:
- MIN. DESIGN METAL TEMP. = -20°F.
 - MAX. DESIGN TEMP. = 400°F.
 - "U" STAMPING REQUIRED.
 - USE WPS MIG-1-PA OR WPS SUB-ARC-1-PA FOR ALL WELDING.
 - NAMEPLATE TO BE STAMPED w/ RT-4 DESIGNATION.
 - CORROSION ALLOWANCE: 0".

REV	DATE	ECN	DESCRIPTION	BY
D	3-5-20	4902	UPDATED CUSTOMER P/N	SB
C	11-5-19	4673	REPLACED HEAD/ADDED 1/4" NPT	SB

REVISIONS

Tolerances unless otherwise specified
 0.000 = ± .060 Angular = ± 2°
 0.00 = ± .250 unless otherwise specified

Description:
30" x 48" VERTICAL RECEIVER

Customer/Material:
LIBERTY #43302

Weight: 815# Capacity: 119 GAL

Date: 7/30/2019 By: SB Part No: RV3048B Approved:

